



Access hard to reach sinus anatomy

Improving surgeon workflow and efficiency while offering a multifunctional, durable solution

 **smith&nephew**
SERPENT[®]
Articulating Instrumentation

SERPENT[◇] articulating instrumentation

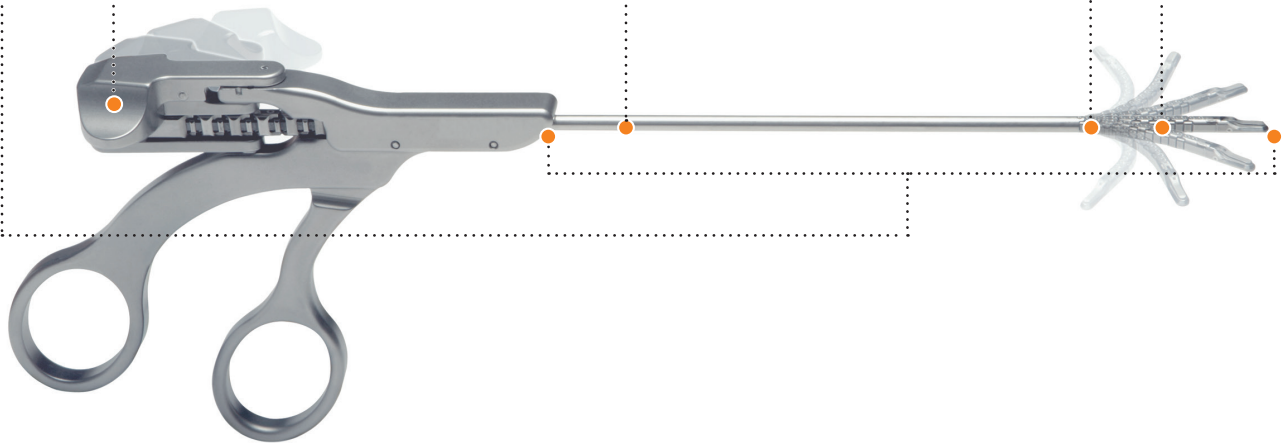
Access hard to reach sinus anatomy

The SERPENT articulating instruments enable the surgeon to introduce a straight instrument into the nasal anatomy and then articulate the functional tip over 240 degrees, side to side.

The surgeon's ability to maneuver the instrument tip independently while in the sinuses may facilitate less invasive procedures, yet enhance surgical access. A single SERPENT articulating instrument could replace the typical range of angled instruments required to access hard-to-reach anatomy in the nasal, paranasal and similar ear, nose, and throat tissues, resulting in a more efficient procedure.

Features

- Jaws remain fully functional throughout entire articulation range, enabling precise dissection
- Proprietary multi-link articulation system replicates the performance of a rigid instrument over a 240 degree range
- Low profile, 3.0mm diameter shaft and jaws facilitate access through tight spaces
- Thumb-based articulation lever enables seven distinct locking positions
- 14.0cm working length enhances instrument reach



Key features

- Over 240 degrees of articulation with seven distinct locking positions.
- Multiple tip configurations include thru-cutters and graspers.
- Ultra-sharp cutting edges and precise grasping tips enable meticulous dissection.
- Designed to withstand the rigors of standard cleaning and sterilization procedures.

Navigating the maxillary sinus

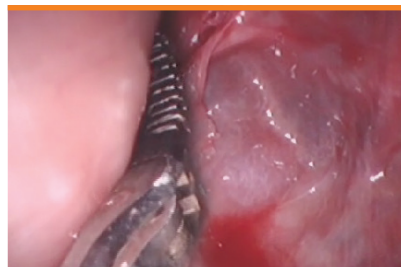
These images, taken from a cadaver as viewed from the canine fossa, demonstrate the reach and range of articulation of the SERPENT[®] instrument within the maxillary sinus.



Entering the maxillary ostea



Dissecting the lateral aspect of the maxillary sinus



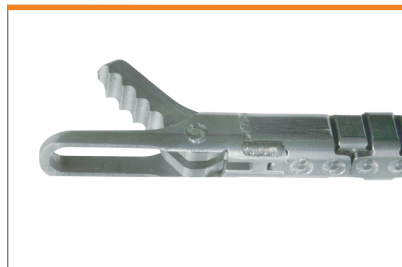
Dissecting along the medial wall of the maxillary sinus

Articulating technology

As endoscopes widen the surgical field of view, traditional rigid instruments limit the ability to reach visible anatomy. This unique technology platform has facilitated the development of a new class of instruments focused on enabling the least invasive techniques for sinus surgery. The SERPENT articulating instrument is designed to reach around corners and, even at extreme angles, perform precise dissection.



Configurations



SERPENT Articulating Thru-Cutting Forceps, 3.0mm



SERPENT Articulating Grasping Forceps, 3.0mm



SERPENT Sterilization Tray, holds two instruments in each tray

*Check for availability.

Ordering information

SERPENT[®] articulating instrumentation

Reference #	Description
510-30110	SERPENT ARTICULATING THRU-CUTTING FORCEPS, 3.0MM VERTICAL JAW
510-30210 [†]	SERPENT ARTICULATING THRU-CUTTING FORCEPS, 3.0MM HORIZONTAL JAW
510-30120	SERPENT ARTICULATING GRASPING FORCEPS, 3.0MM VERTICAL JAW
510-30220 [†]	SERPENT ARTICULATING GRASPING FORCEPS, 3.0MM HORIZONTAL JAW
910-30110	SERPENT STERILIZATION TRAY, HOLDS TWO INSTRUMENTS IN EACH TRAY. TRAY AND LID ARE AVAILABLE AS SEPARATE PARTS TO FACILITATE A MULTI-TRAY STACK

ArthroCare Corporation

7000 West William Cannon Drive
Austin, TX 78735
USA

www.smith-nephew.com

Order Entry: 1-800-797-6520
Order Entry Fax: 1-888-994-2782

© 2014 Smith & Nephew, Inc.
[†]Trademark of Smith & Nephew. Reg. US Pat. & TM Office.

P/N 52268 Rev. B 11/14